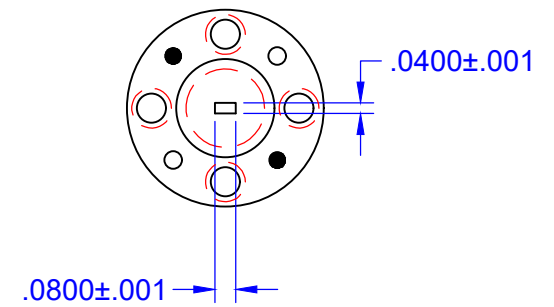
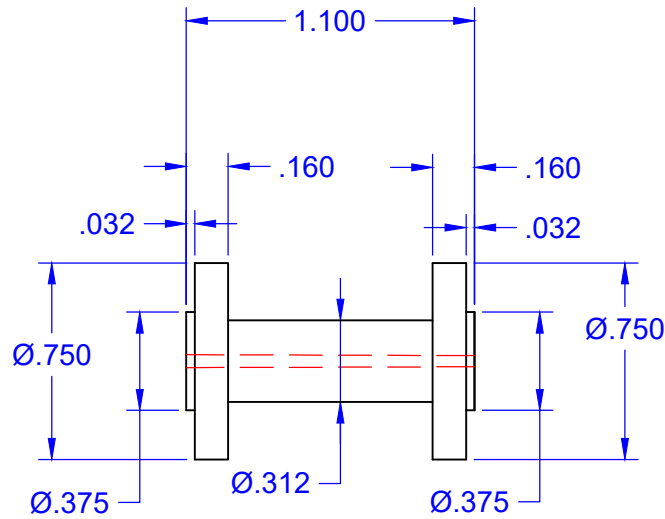
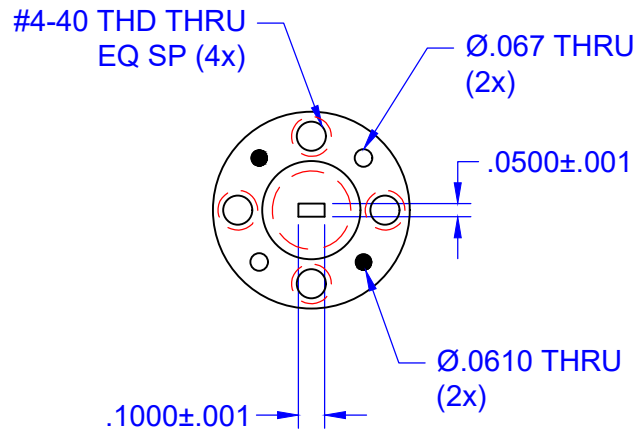


REVISIONS			
REV	DESCRIPTION	DATE	APPROVED
--	--	--	--



--	--	MATERIAL: 1/2 HARD BRASS		--	
QTY	PART NUMBER	DESCRIPTION		ITEM	
UNLESS OTHERWISE SPECIFIED ALL SURFACES $\sqrt{32}$		 THIRD ANGLE PROJECTION		Mi-Wave Millimeter Products Inc. TITLE 692W-F/387/1.1 OUTLINE	
DIMENSIONS ARE IN INCHES TOLERANCES ARE: DECIMALS: .1234 +/- .0005 .123 +/- .005 .12 +/- .01 ANGLES: +/- .5 DEGREES		DRAFTING: K.S. APPROVED: M.S. DATE: 1/26/2015			
ALL THREADS TO BE 2A OR 2B		SHEET NO.	OF		SIZE
REF DWG# --		1	1		DWG NO
				22700	